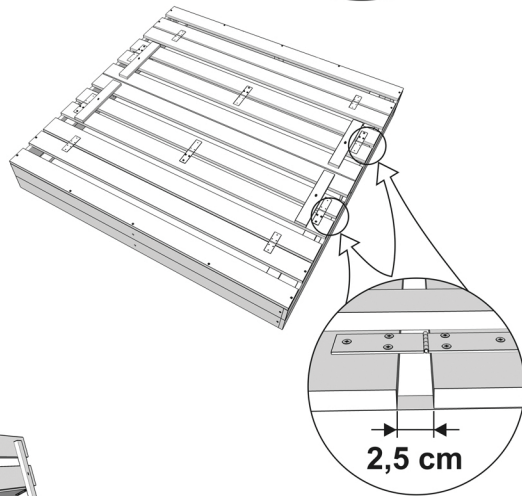
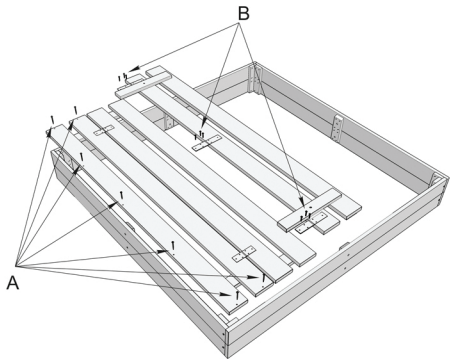
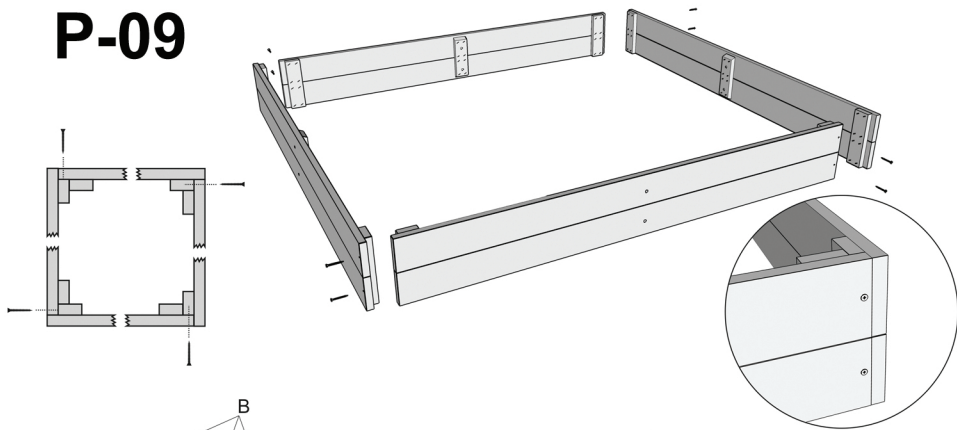
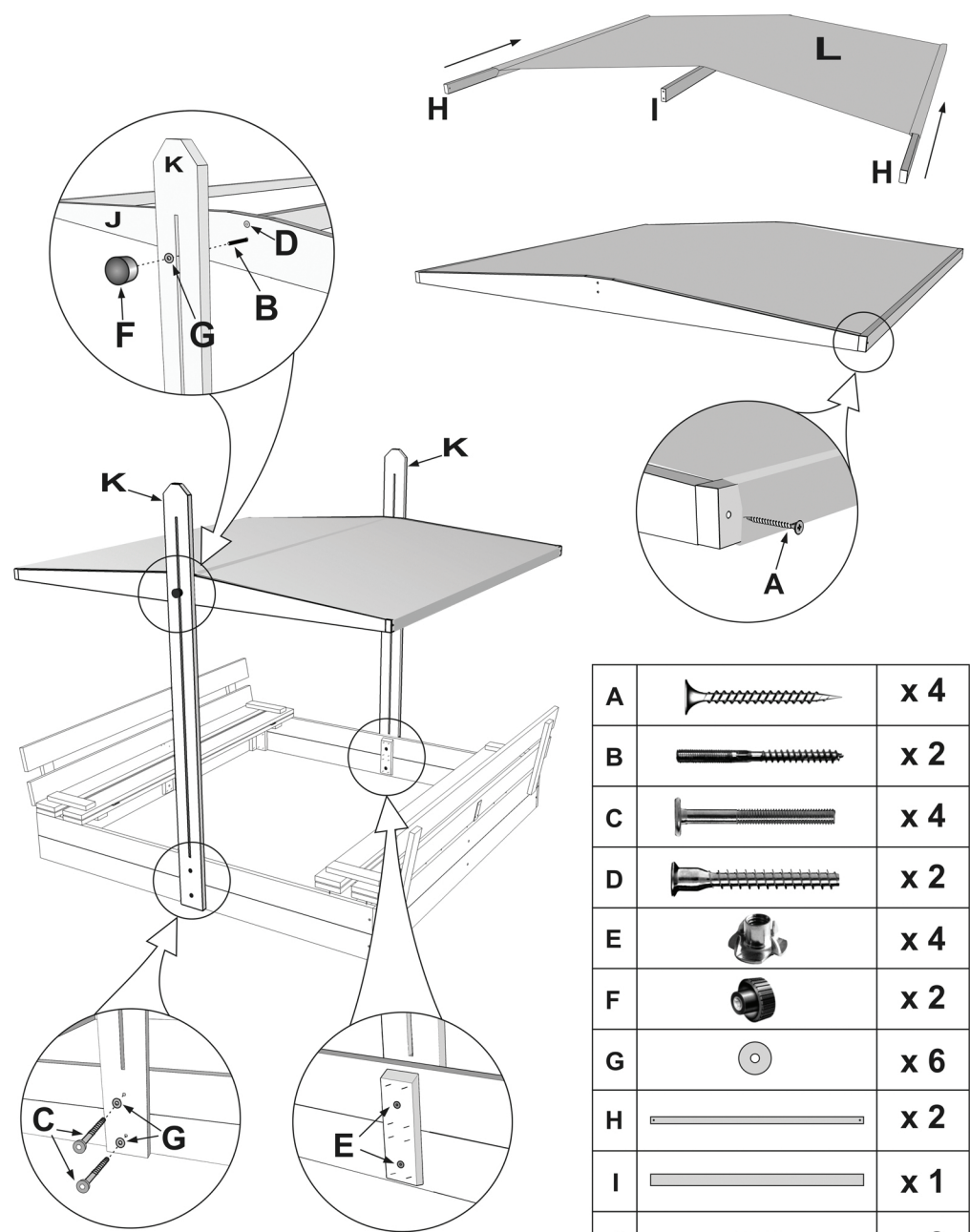
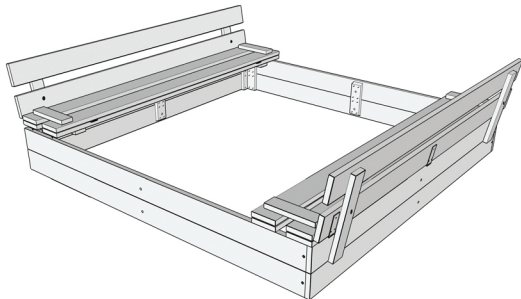
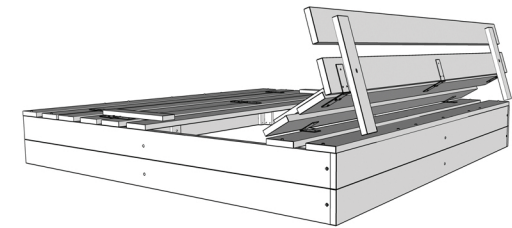


P-09



	x 2
	x 2
	x 4
A	x 22
B	x 18



A		x 4
B		x 2
C		x 4
D		x 2
E		x 4
F		x 2
G		x 6
H		x 2
I		x 1
J		x 2
K		x 2
L		x 1